

**FEATURES**

- 31<sup>3</sup>/<sub>4</sub>" x 19<sup>1</sup>/<sub>4</sub>" x 9<sup>1</sup>/<sub>2</sub>" double bowls. J-shape small bowl. Sink as low 4-1/2" high divider.
- Under counter mount kitchen sink. The rim of the sink is under neath the countertop.
- Transolid silQ®granite sinks are by made with the union of natural granite and acrylic resin. The result gives our sinks high resistance to high temperatures, scratches, dents and chips, as well as impacts and violent shocks.
- The non-porous surface is resistant to bacteria growth and reduces the need for cleaning with harsh chemicals and is 100% food safe.
- Lifetime Limited Residential Warranty

**COLORS**

- 5 Colors

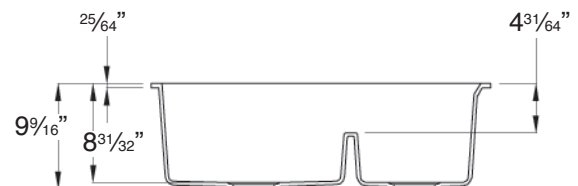
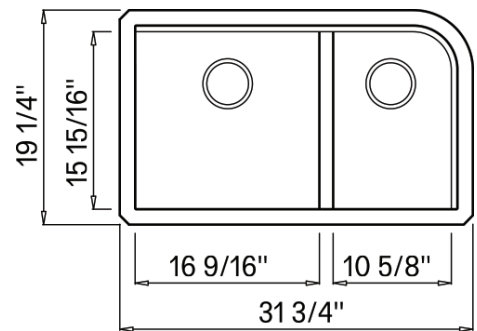
**OPTIONS**

- TSGRDJ Bottom Sink Grid Set, TCBJ1716 Bamboo Cutting Board, TSDIK Universal Sink Drain Installation Kit, 2210 Covered Flip-Top Sink Strainer, 2310 Remote Flip-Top Sink Strainer, 4010 Covered Flip-Top Disposer Strainer, 2012 Standard Sink Strainer, Soap Dispenser.



**Specified Model**

Model	<b>RUDJ3118</b>
Overall Dimensions	L31 <sup>3</sup> / <sub>4</sub> " x W19 <sup>1</sup> / <sub>4</sub> " x D9 <sup>1</sup> / <sub>2</sub> "
Left Bowl Dimensions	L16 <sup>9</sup> / <sub>16</sub> " x W15 <sup>15</sup> / <sub>16</sub> " x D8 <sup>31</sup> / <sub>32</sub> "
Right Bowl Dimensions	L10 <sup>5</sup> / <sub>8</sub> " x W15 <sup>15</sup> / <sub>16</sub> " x D8 <sup>31</sup> / <sub>32</sub> "
Faucet Holes	0
Shipping Weight	48 lbs.
Material	silQ®granite
Installation	under counter mounted
Required	2 basket strainers not supplied



**To Be Specified:**

	COLOR
<input type="checkbox"/>	01 White
<input type="checkbox"/>	09 Black
<input type="checkbox"/>	12 Espresso
<input type="checkbox"/>	16 Cafe Latte
<input type="checkbox"/>	17 Grey

**silQ®granite SINK COLORS**

